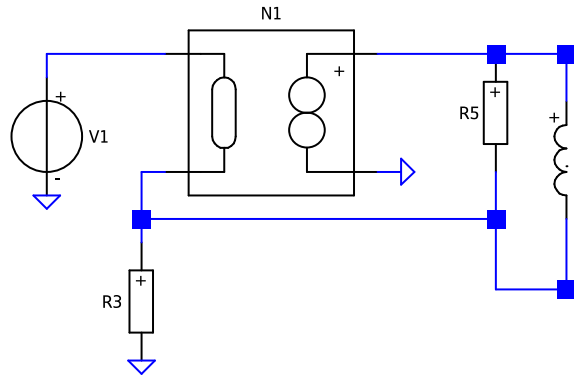
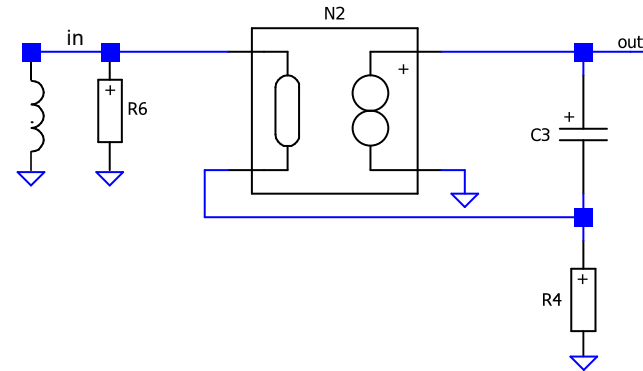


## EE3C11 Team exercise 9

1. Evaluate the frequency characteristics of the asymptotic-gain, the loop gain and the servo function for the transmitter equipped with the TLV4111 and designed to deliver 100mA peak into the transmit coil. Use SLiCAP to plot the frequency characteristics.
2. Evaluate the frequency characteristics of the asymptotic-gain, the loop gain, and the servo function for the receiver equipped with the OPA209 and designed with a transmitter that delivers 100mA peak into the transmit coil. Use SLiCAP to plot the frequency characteristics.



Replace the nullor with the small-signal model of the TLV4111



Replace the nullor with the small-signal model of the OPA209