

Structured Electronic Design

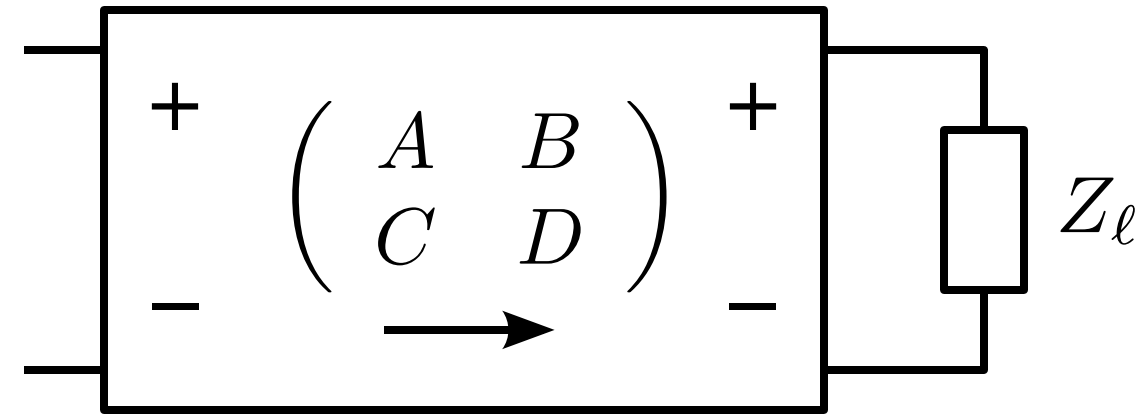
EE4109

Active antenna configurations

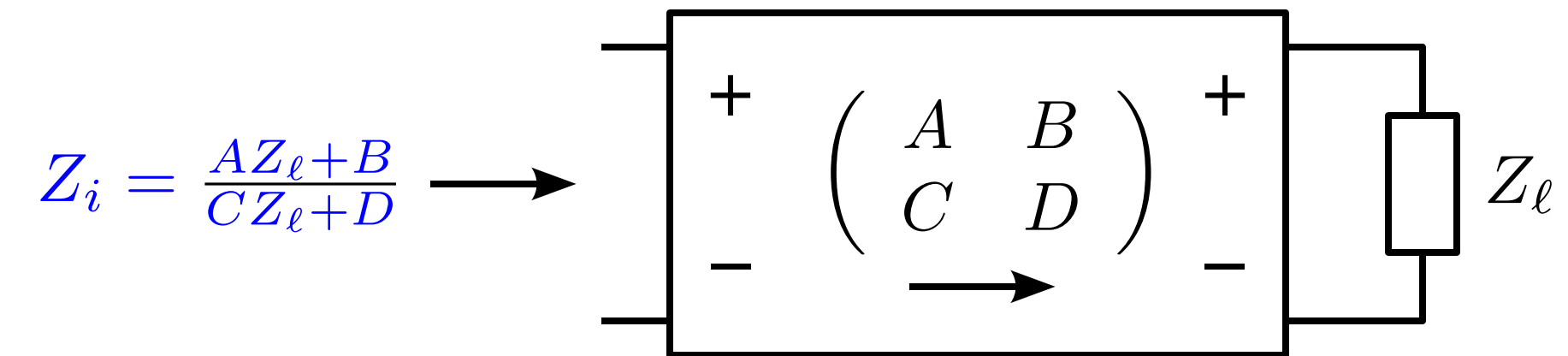
Anton J.M. Montagne

Design of amplifier configurations (recap)

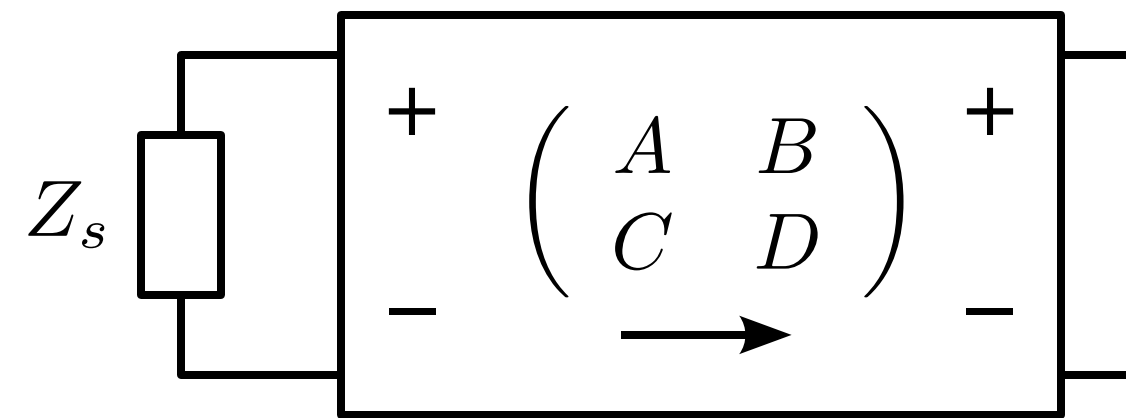
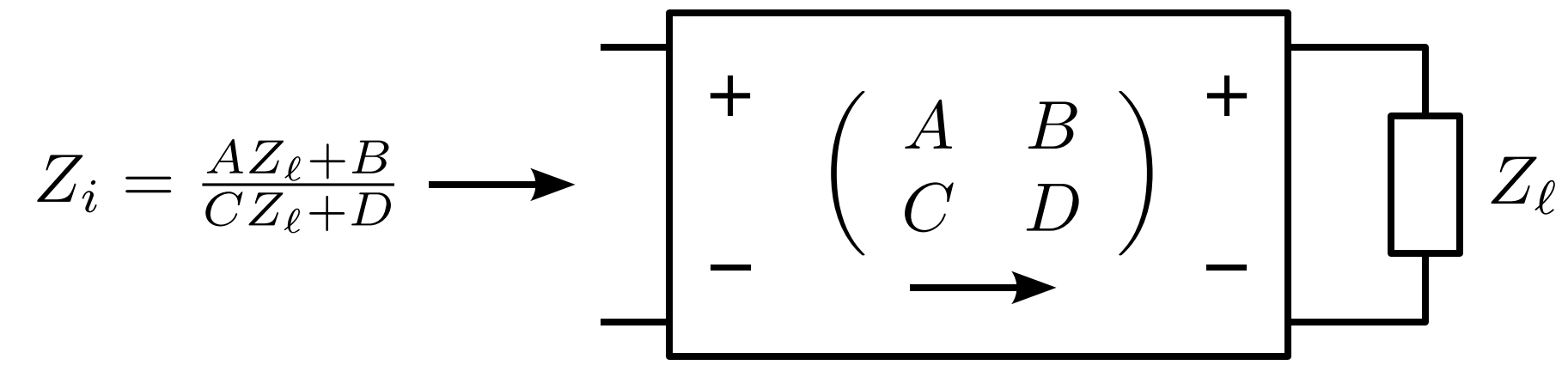
Design of amplifier configurations (recap)



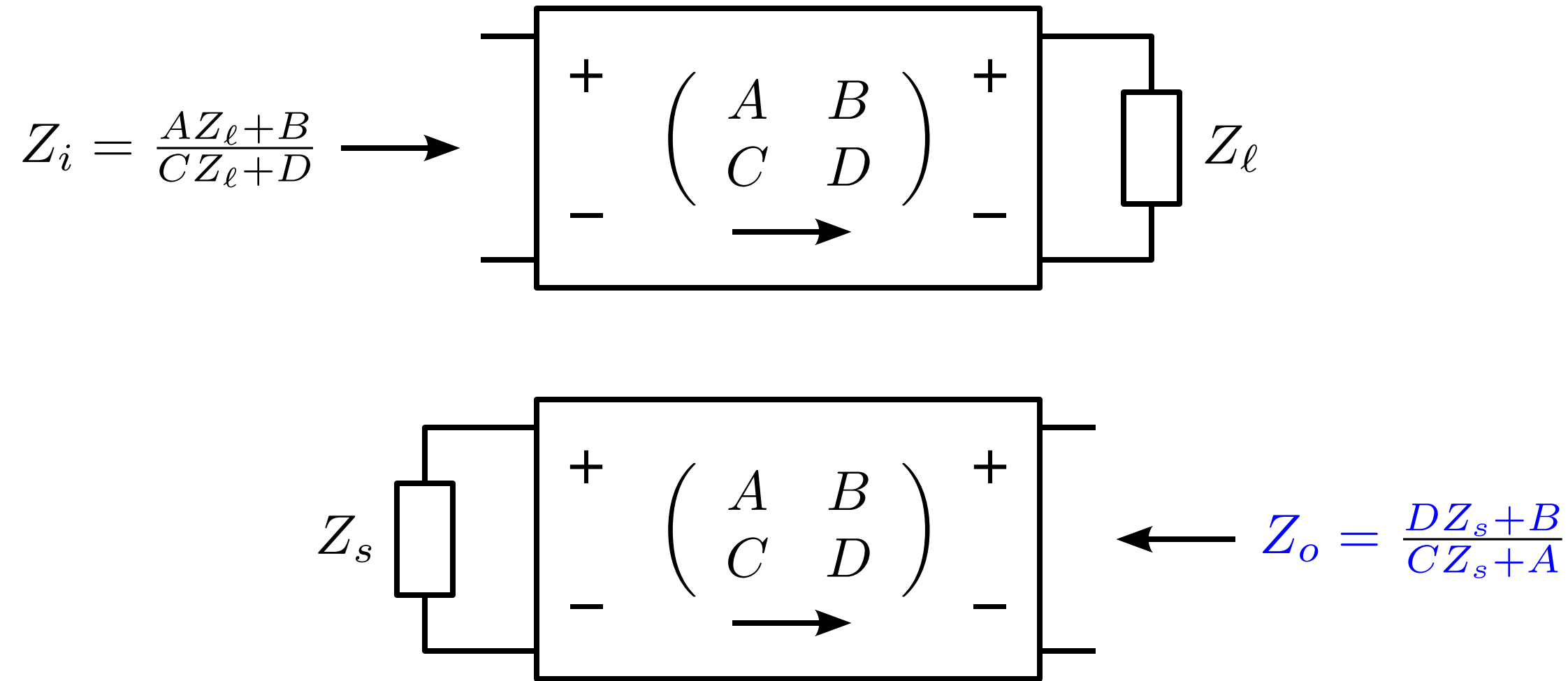
Design of amplifier configurations (recap)



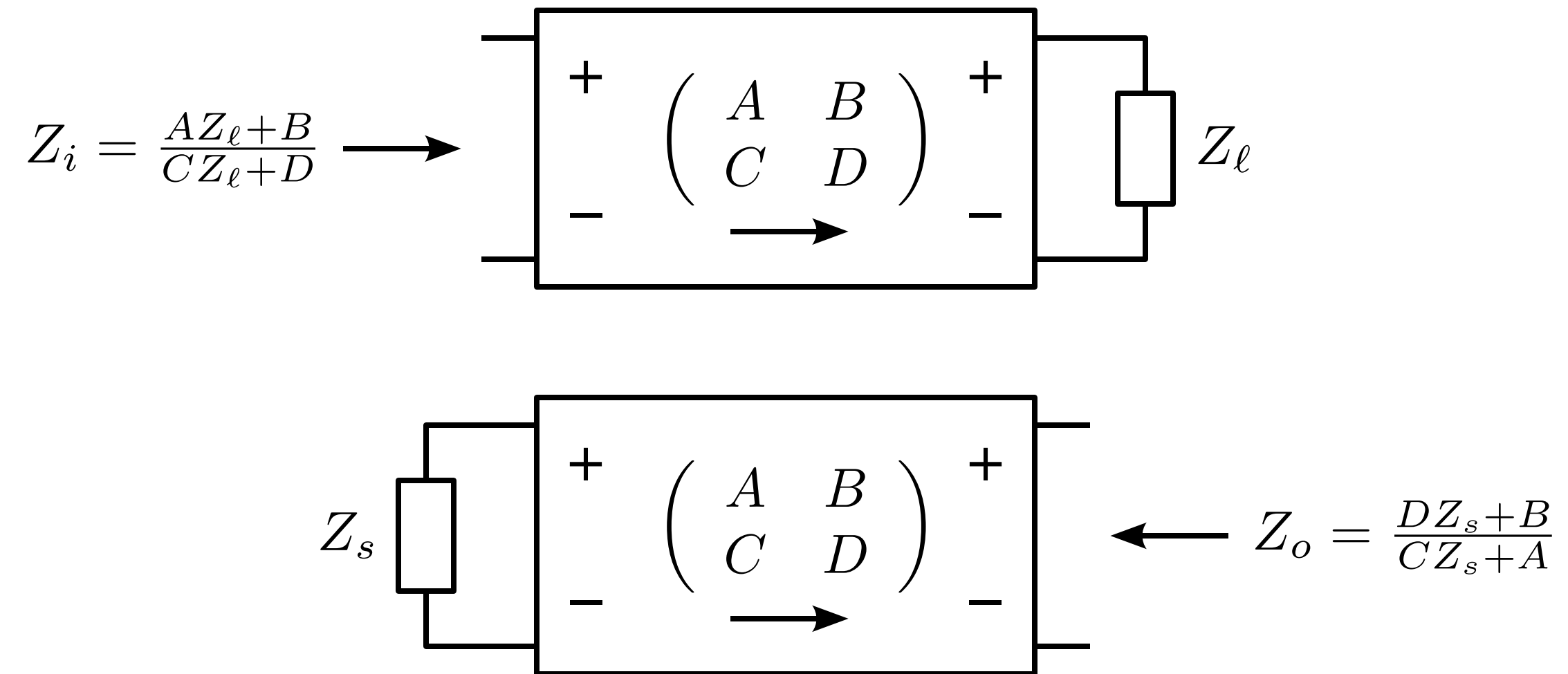
Design of amplifier configurations (recap)



Design of amplifier configurations (recap)

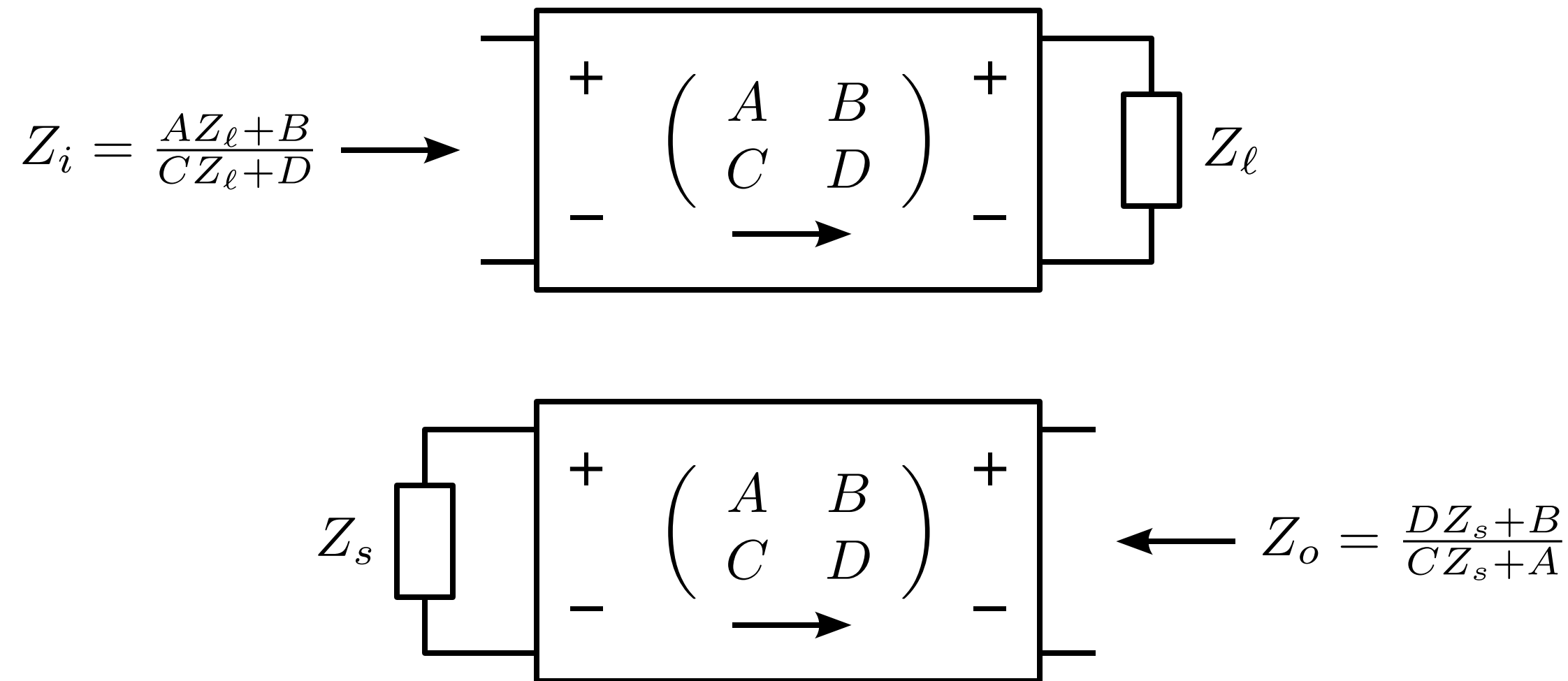


Design of amplifier configurations (recap)



Design of negative feedback amplifiers:

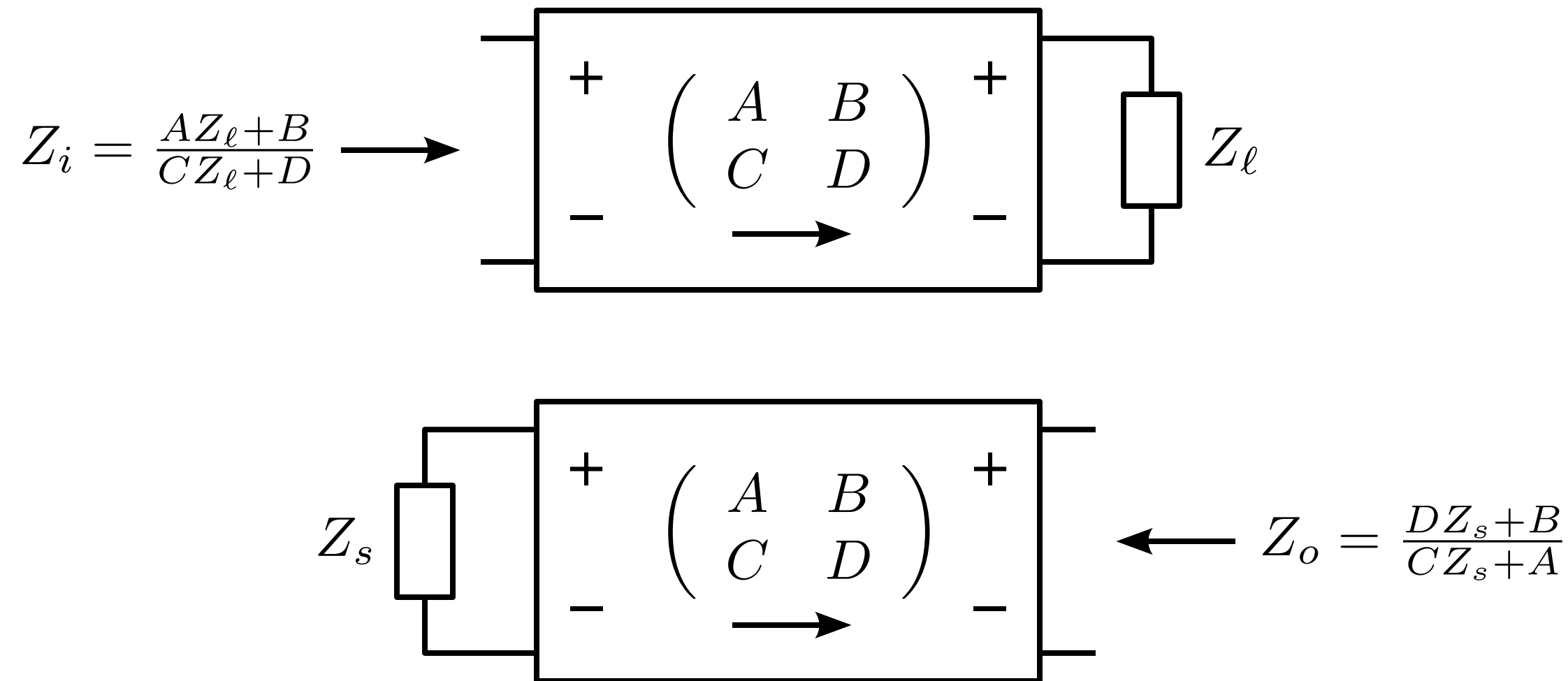
Design of amplifier configurations (recap)



Design of negative feedback amplifiers:

Each T1 parameter can be set with a feedback loop

Design of amplifier configurations (recap)



Design of negative feedback amplifiers:

Each T1 parameter can be set with a feedback loop

Design of amplifier configurations (recap)

Set transmission parameters with feedback:

Generate a copy of the source signal from the load signal with a feedback network

Input signal of the feedback network = load quantity of interest (current or voltage)

Output signal of the feedback network = accurate copy of the source quantity of interest

Transfer of feedback network equals the required value of the corresponding T1 parameter

	Source voltage	Source current	Load voltage	Load current
T1 parameters	A, B	C, D	A, C	B, D
Feedback type	series comparison	parallel comparison	parallel sensing	series sensing

Controller (error amplifier) generates the load quantity and nullifies comparison result

Active antenna configurations

Active antenna configurations

Input impedance can be infinity or zero

Active antenna configurations

Input impedance can be infinity or zero

Voltage is the information carrying quantity

Active antenna configurations

Input impedance can be infinity or zero

Voltage is the information carrying quantity

Antenna impedance is accurately known and can be used as v-i converter

Active antenna configurations

Input impedance can be infinity or zero

Voltage is the information carrying quantity

Antenna impedance is accurately known and can be used as v-i converter

Output impedance should be 50 Ohm

Active antenna configurations

Input impedance can be infinity or zero

Voltage is the information carrying quantity

Antenna impedance is accurately known and can be used as v-i converter

Output impedance should be 50 Ohm

Both feedback techniques and brute-force techniques can be used for implementation

Active antenna configurations

Input impedance can be infinity or zero

Voltage is the information carrying quantity

Antenna impedance is accurately known and can be used as v-i converter

Output impedance should be 50 Ohm

Both feedback techniques and brute-force techniques can be used for implementation

Required values T1 parameters follow from:

Active antenna configurations

Input impedance can be infinity or zero

Voltage is the information carrying quantity

Antenna impedance is accurately known and can be used as v-i converter

Output impedance should be 50 Ohm

Both feedback techniques and brute-force techniques can be used for implementation

Required values T1 parameters follow from:

$$Z_i = \frac{AZ_\ell + B}{CZ_\ell + D}$$

Active antenna configurations

Input impedance can be infinity or zero

Voltage is the information carrying quantity

Antenna impedance is accurately known and can be used as v-i converter

Output impedance should be 50 Ohm

Both feedback techniques and brute-force techniques can be used for implementation

Required values T1 parameters follow from:

$$Z_i = \frac{AZ_\ell + B}{CZ_\ell + D} \quad Z_o = \frac{DZ_s + B}{CZ_s + A}$$

Active antenna configurations

Input impedance can be infinity or zero

Voltage is the information carrying quantity

Antenna impedance is accurately known and can be used as v-i converter

Output impedance should be 50 Ohm

Both feedback techniques and brute-force techniques can be used for implementation

Required values T1 parameters follow from:

$$Z_i = \frac{AZ_\ell + B}{CZ_\ell + D} \quad Z_o = \frac{DZ_s + B}{CZ_s + A}$$

Source-to-load transfer:

Active antenna configurations

Input impedance can be infinity or zero

Voltage is the information carrying quantity

Antenna impedance is accurately known and can be used as v-i converter

Output impedance should be 50 Ohm

Both feedback techniques and brute-force techniques can be used for implementation

Required values T1 parameters follow from:

$$Z_i = \frac{AZ_\ell + B}{CZ_\ell + D} \quad Z_o = \frac{DZ_s + B}{CZ_s + A}$$

Source-to-load transfer: $\frac{V_\ell}{V_s} = \frac{1}{A + B \frac{1}{Z_\ell} + CZ_s + D \frac{Z_s}{Z_\ell}}$

Active antenna configurations

Input impedance can be infinity or zero

Voltage is the information carrying quantity

Antenna impedance is accurately known and can be used as v-i converter

Output impedance should be 50 Ohm

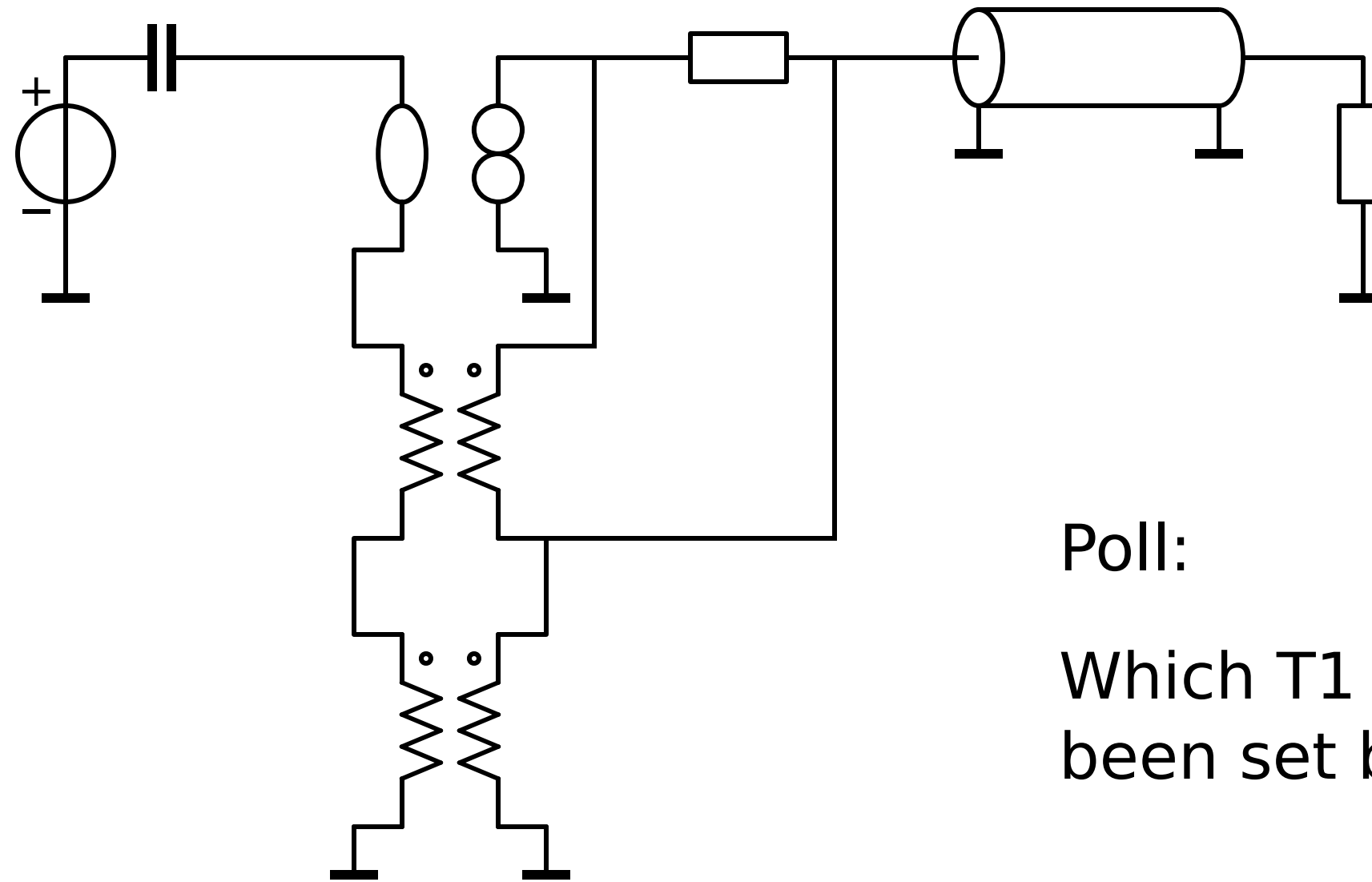
Both feedback techniques and brute-force techniques can be used for implementation

Required values T1 parameters follow from:

$$Z_i = \frac{AZ_\ell + B}{CZ_\ell + D} \quad Z_o = \frac{DZ_s + B}{CZ_s + A}$$

Source-to-load transfer:
$$\frac{V_\ell}{V_s} = \frac{1}{A + B \frac{1}{Z_\ell} + CZ_s + D \frac{Z_s}{Z_\ell}}$$

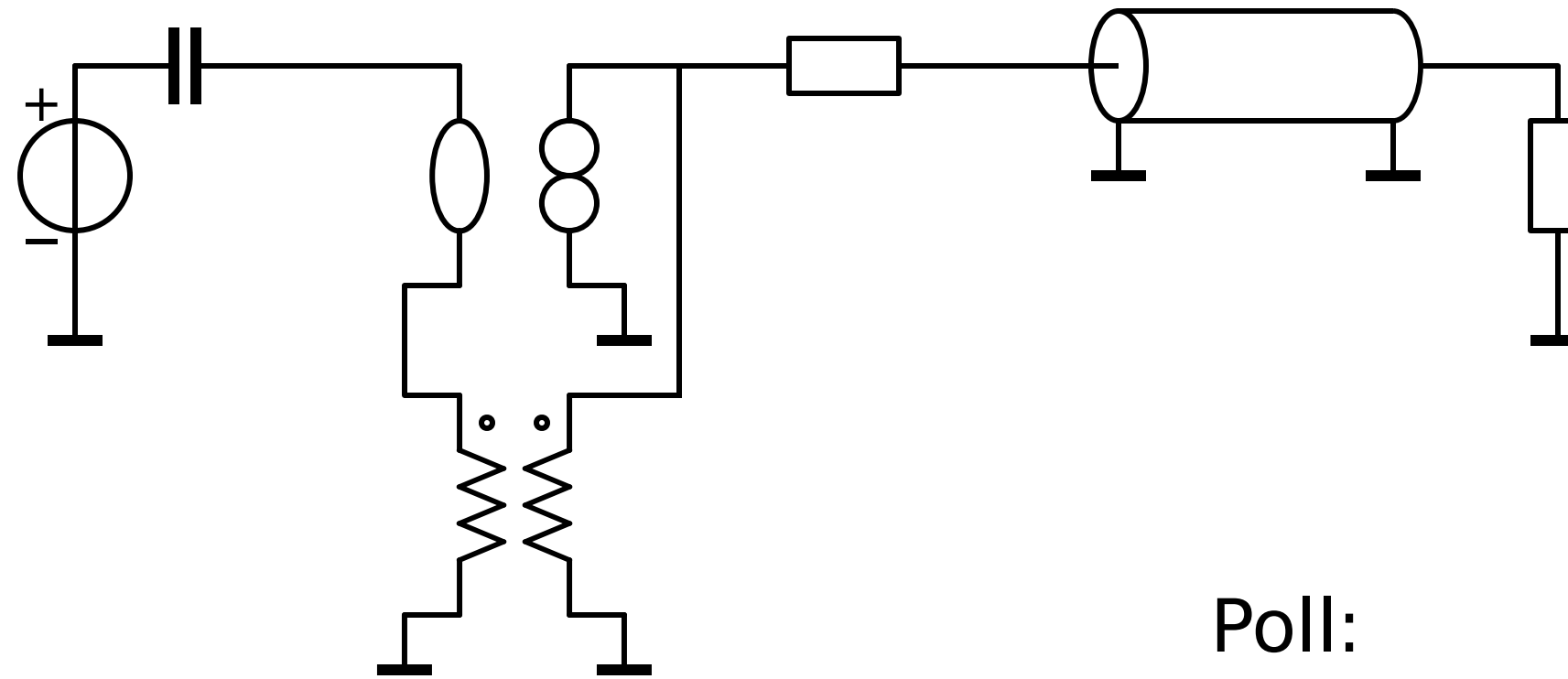
Amplifier configurations



Poll:

Which T1 parameters have been set by negative feedback?

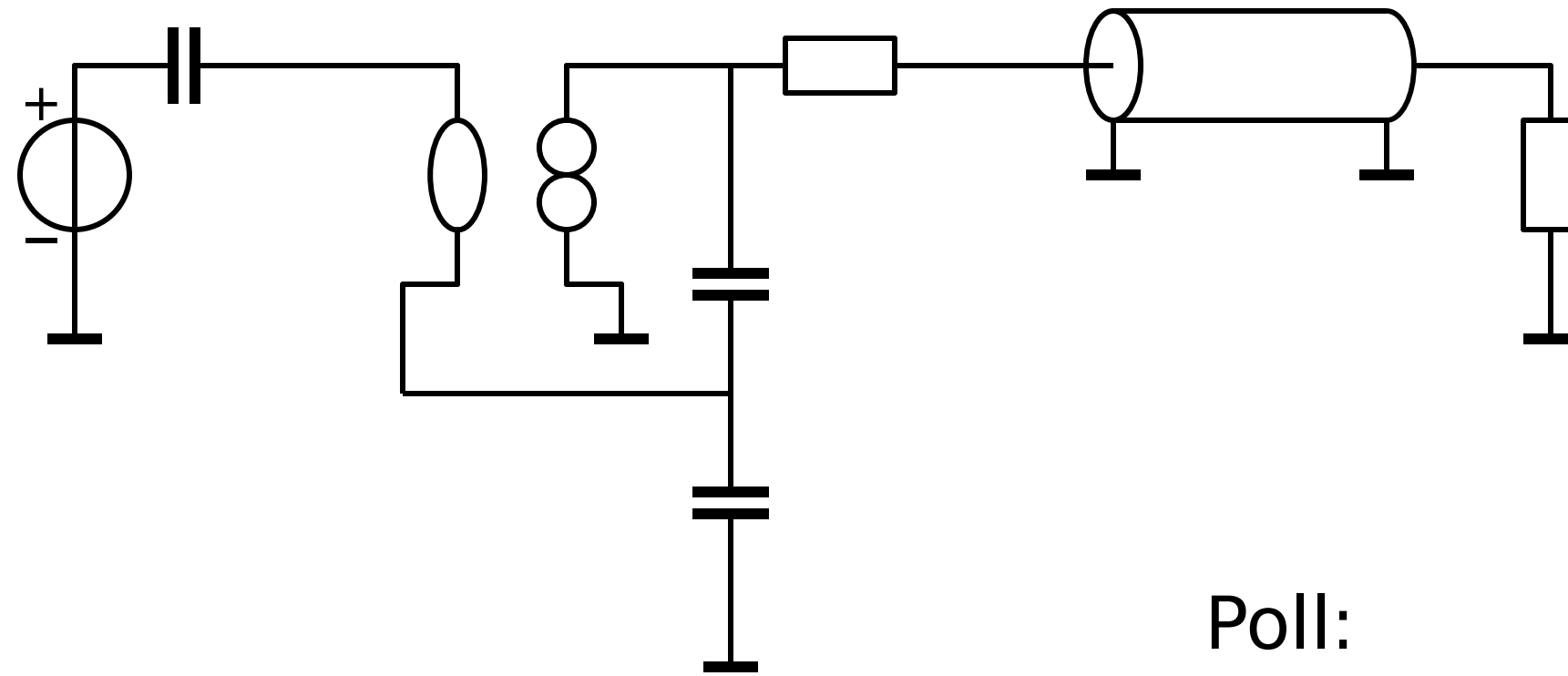
Amplifier configurations



Poll:

Which T1 parameters have been set by negative feedback?

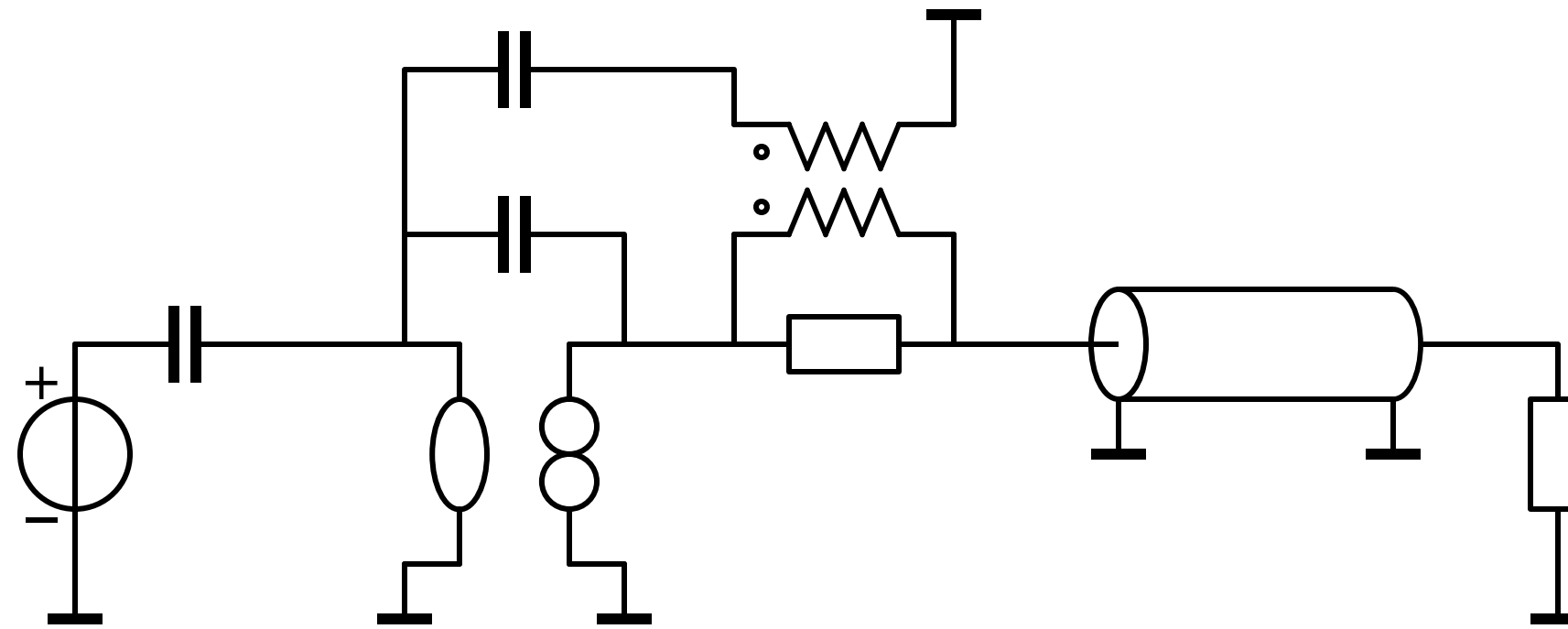
Amplifier configurations



Poll:

Which T1 parameters have been set by negative feedback?

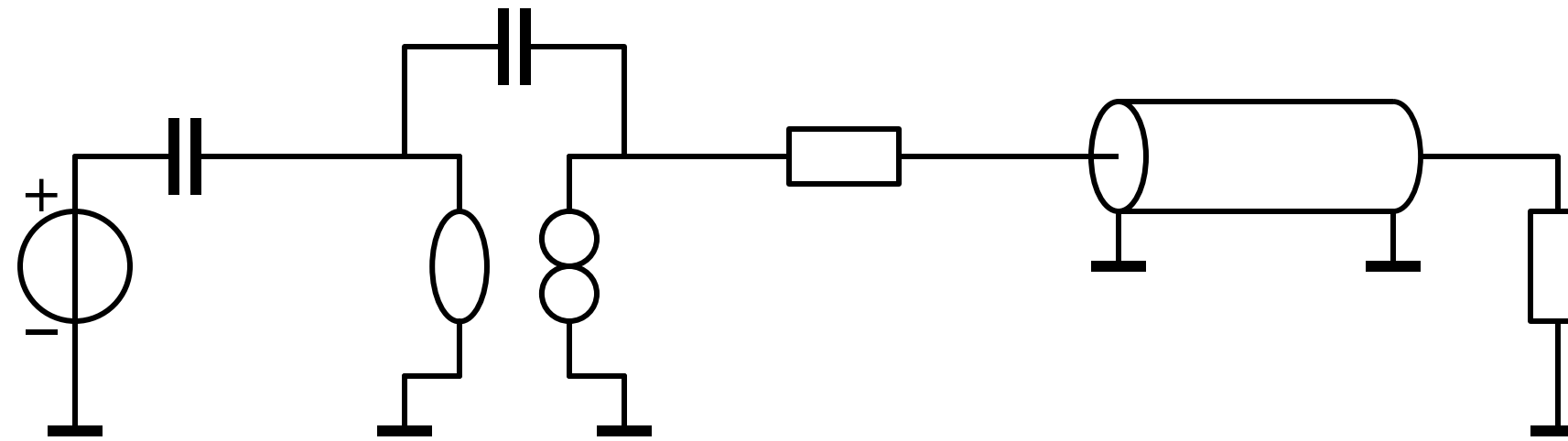
Amplifier configurations



Poll:

Which T1 parameters have been set by negative feedback?

Amplifier configurations



Poll:

Which T1 parameters have been set by negative feedback?

Amplifier configurations

Invent more configurations yourself!