

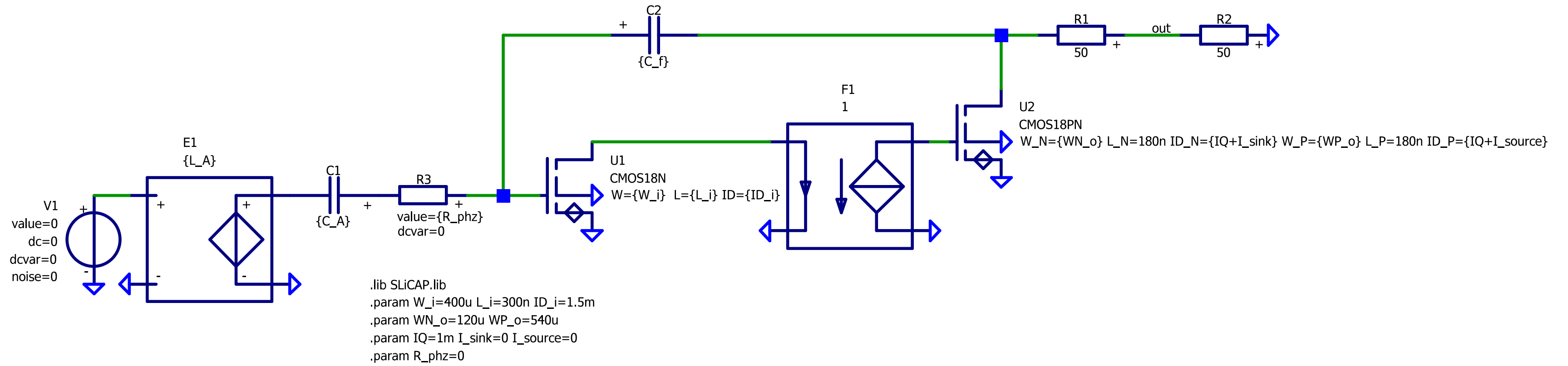
# **Structured Electronic Design**

EE4109

Active antenna:  
Bandwidth limitation  
with phantom zeros

*Anton J.M. Montagne*

# Dual stage with phantom-zero bandwidth limitation



dualStageBWlimit.py