

# **Structured Electronic Design**

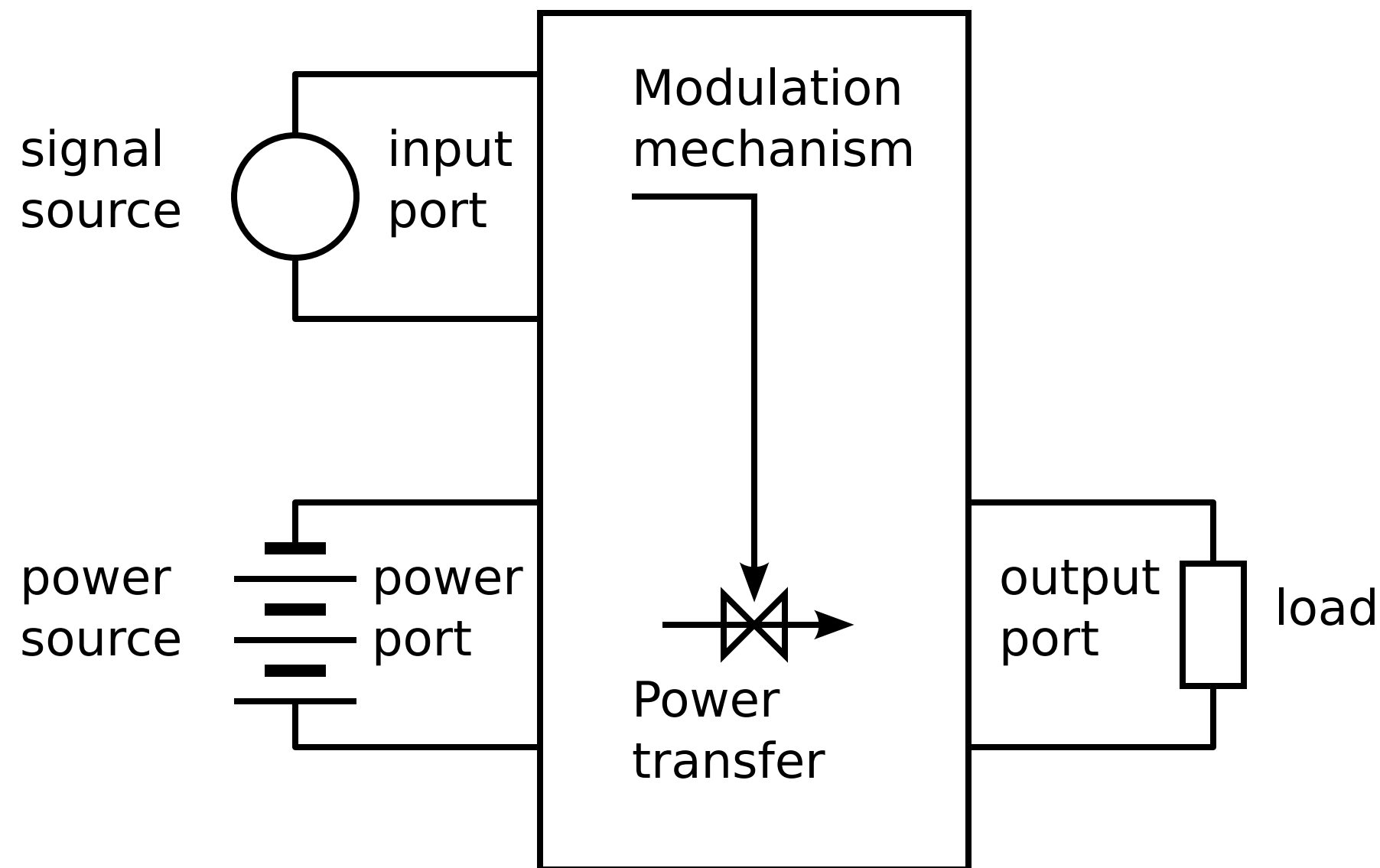
EE3C11

Amplification Function

*Anton J.M. Montagne*

# Amplification

Amplification is the most important basic electronic signal processing function:



An amplifier provides its load with an accurate copy of the source signal

The available signal power at the output port exceeds that of the signal source

The amplification mechanism is embodied in amplifying devices such as vacuum tubes and transistors